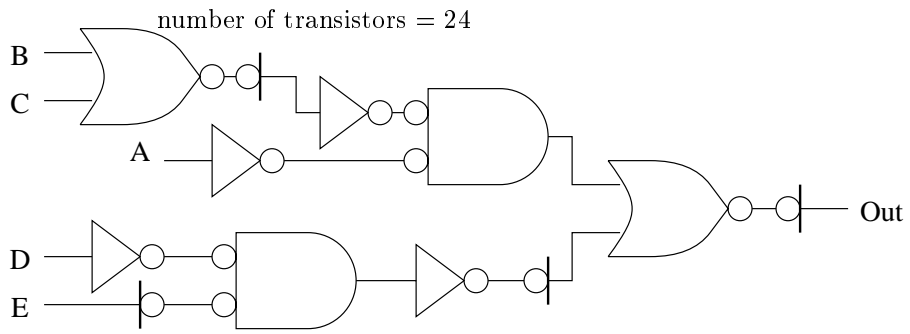
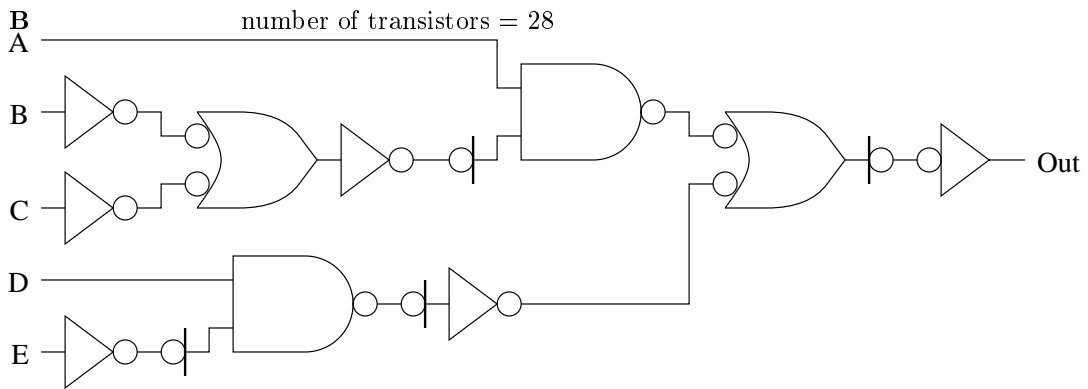


Mixed Logic Design

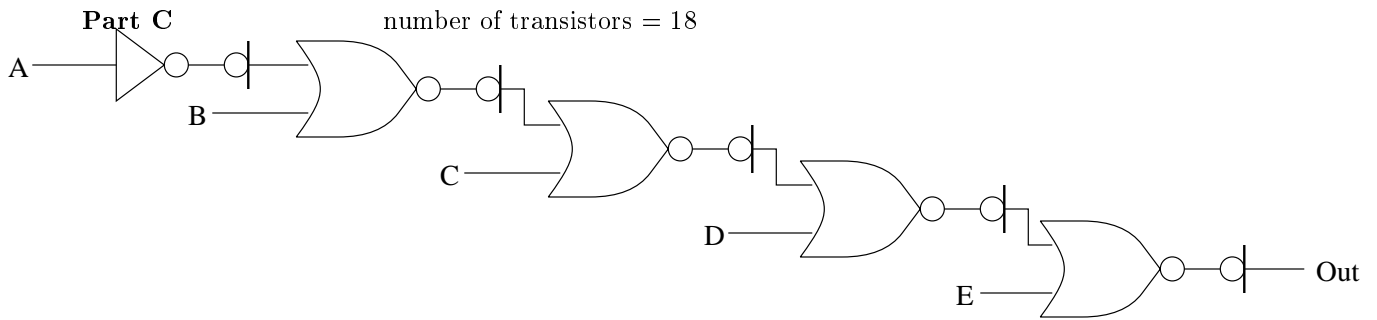
Part A



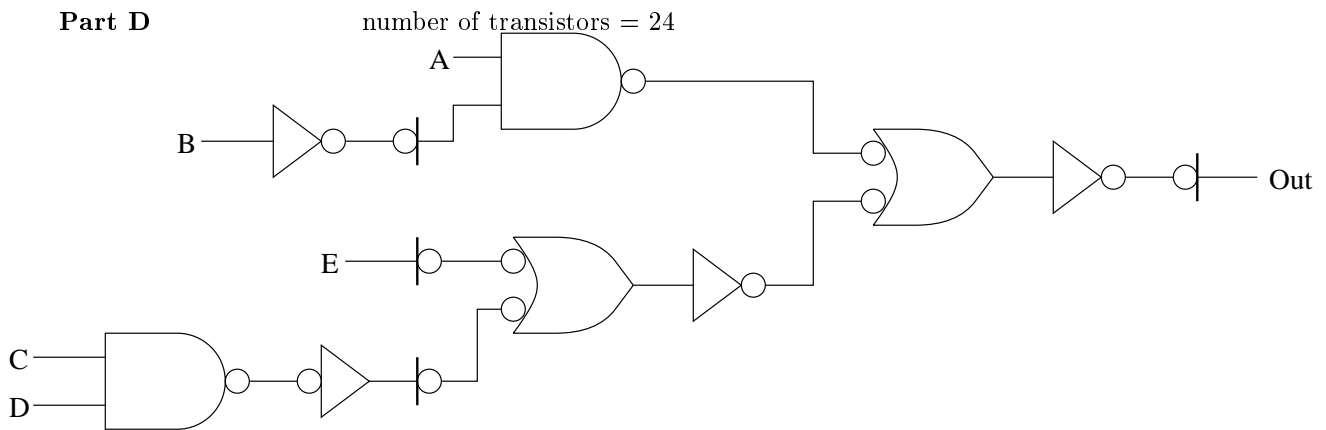
Part B



Part C

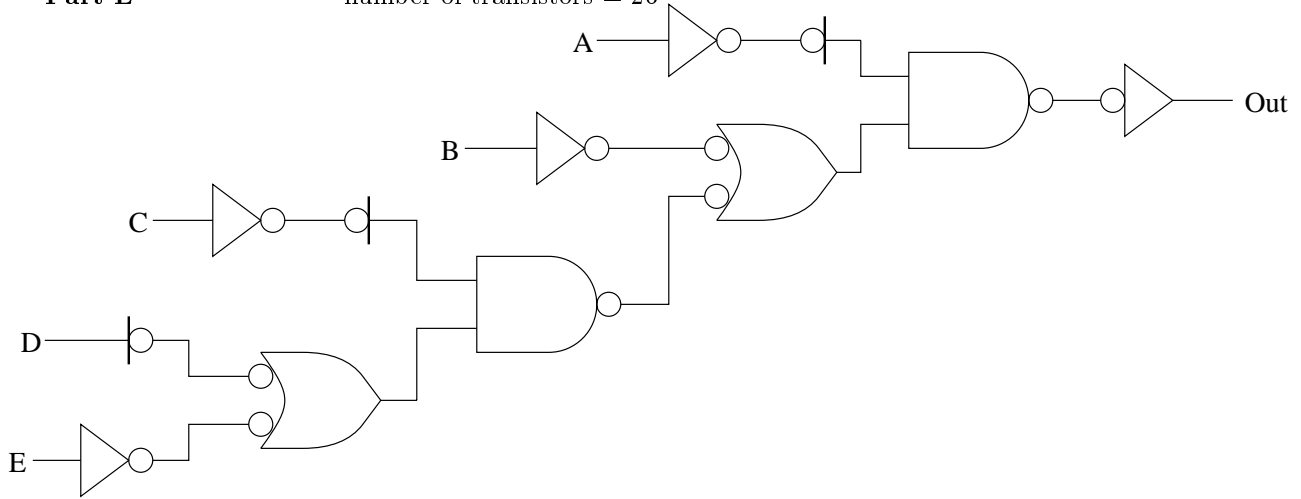


Part D



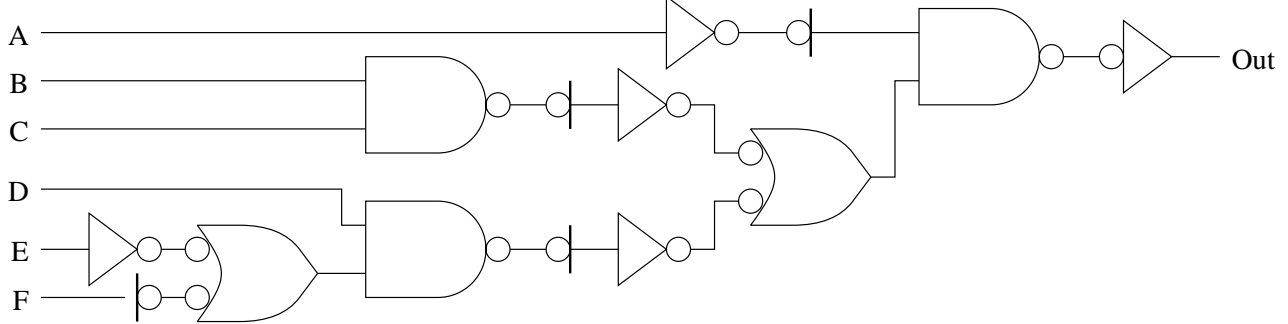
Part E

number of transistors = 26



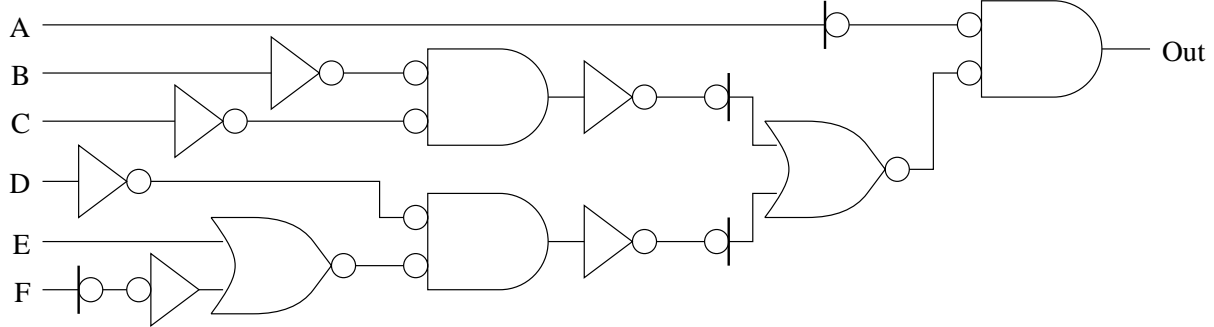
Part F

number of transistors = 30



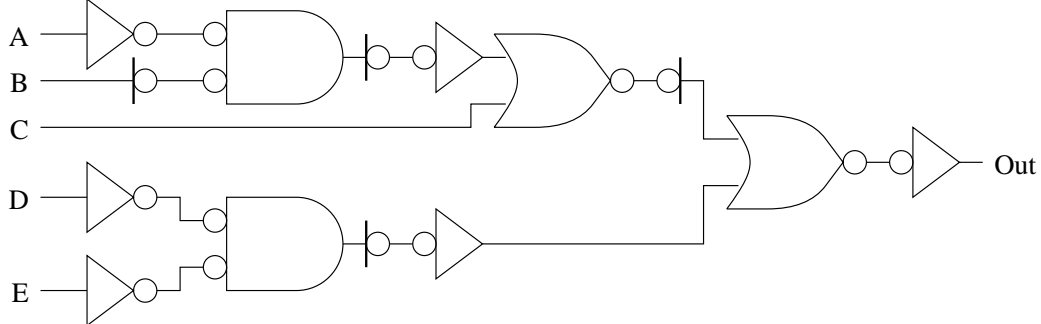
Part G

number of transistors = 32



Part H

number of transistors = 28



Part I

number of transistors = 28

