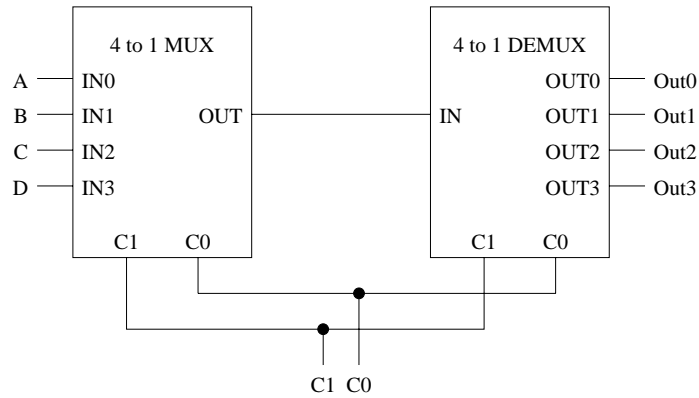


### Multiplexer Demultiplexer

Complete the truth table for the circuit below. Assume the four inputs to the multiplexer are A, B, C, and D.



$In_3$	$In_2$	$In_1$	$In_0$	$C_1$	$C_0$	$Out_3$	$Out_2$	$Out_1$	$Out_0$
D	C	B	A	0	0				
D	C	B	A	0	1				
D	C	B	A	1	0				
D	C	B	A	1	1				